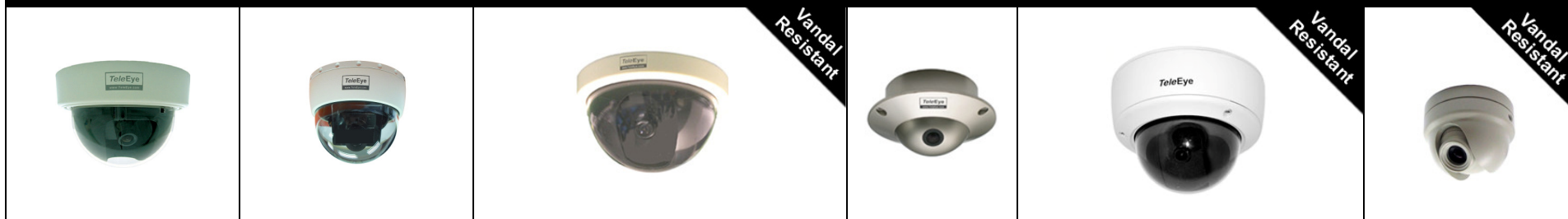
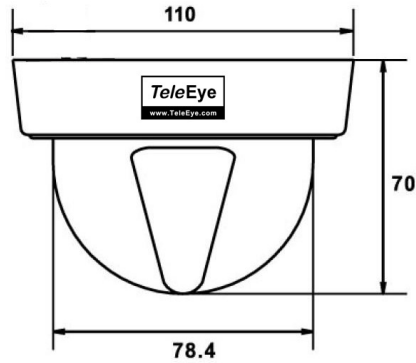


**CAMERIO Colour Fixed Domes / Vandal Resistant Domes**

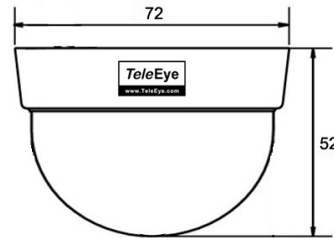


	Colour Dome Camera		Compact Metallic Base Dome		Indoor Vandal Resistant Dome			Colour Dome Camera	Outdoor Vandal Resistant Dome			Mini Vandal Resistant Dome
Model	DF103	DF103W	DF105	DF108	DF113S	DF117W	DF117S	DF115	DF163	DF167	DF168	DF175
Pick Up Device	1/3" interline transfer CCD		1/3" interline transfer CCD		1/3" interline transfer CCD			1/3" interline transfer CCD	1/3" interline transfer CCD			1/3" interline transfer CCD
Horizontal Resolution	420 TVL		420 TVL	540 TVL	420 TVL	540 TVL		420 TVL	420 TVL	540 TVL		480 TVL
Lens	3.6mm	2.9mm	3.6mm		6mm	2.8mm	6mm	2.8mm	3.6mm		2.8-10mm	3.6mm
View Angle ( Horizontal )	68°	90°	68°		55°	93°	55°	93°	68°		28°-94°	68°
Auto-iris Lens	-		-		-			-	-		Yes	-
Min. Illumination	0.3 Lux / F2.0		0.5 Lux / F1.2	0.1 Lux / F1.2	0.5 Lux / F1.2	0.1 Lux / F1.2		0.5 Lux / F1.2	0.5 Lux / F1.2	0.1 Lux / F1.2	0.5 Lux / F1.2	0.5 Lux / F2.0
Electronic Shutter	1/50 ( 1/60 ) to 1/100,000 sec		1/50 ( 1/60 ) to 1/100,000 sec		1/50 ( 1/60 ) to 1/100,000 sec			1/50 ( 1/60 ) to 1/100,000 sec	1/50 ( 1/60 ) to 1/100,000 sec			1/50 ( 1/60 ) to 1/100,000 sec
Electronic Shutter Control	Built-in		Built-in		Built-in			Built-in	Built-in			Built-in
Back Light Compensation	Built-in		Built-in		Built-in			Built-in	Built-in		On/Off (Switchable)	Built-in
S/N Ratio	More than 48dB ( AGC off )		More than 48dB ( AGC off )		More than 48dB ( AGC off )			More than 48dB ( AGC off )	More than 48dB ( AGC off )			More than 45dB ( AGC off )
White Balance	Auto		Auto		Auto			Auto	Auto			Auto
Video Output	1.0 Vp-p, 75Ω		1.0 Vp-p, 75Ω		1.0 Vp-p, 75Ω			1.0 Vp-p, 75Ω	1.0 Vp-p, 75Ω			1.0 Vp-p, 75Ω
Auto Gain Control	Yes		Yes		Yes			Yes	Yes		On/Off (Switchable)	Yes
Power Source	DC 12V / 200mA		DC 12V / 200mA		DC 12V / 200mA			DC 12V / 200mA	DC 12V / 200mA			DC 12V / 200mA
Operating Temperature	-10°C ~ +50°C		-20°C ~ +50°C	-10°C ~ +50°C	-20°C ~ +50°C			-20°C ~ +50°C	-20°C ~ +50°C		-10°C ~ +50°C	-10°C ~ +60°C
Weather Proof Standard	-		-		-			-	IP66			IP66
Humidity	< 85%		< 90%		< 90%			< 90%	< 90%			-
Weight ( g )	150		180		240	230		250	840		930	210

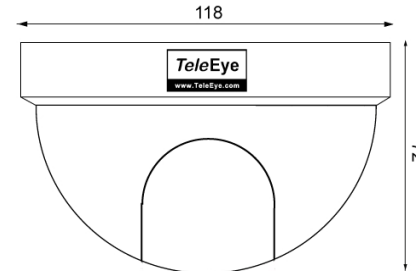
**DF103 / DF103W**



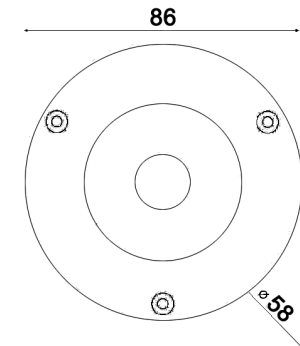
**DF105 / DF108**



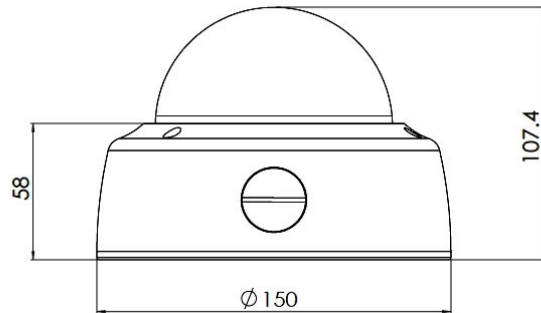
**DF113S / DF117W / DF117S**



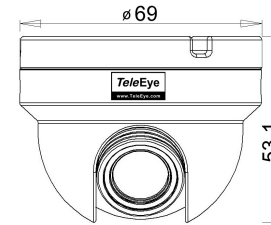
**DF115**



**DF163 / DF167 / DF168**



**DF175**



**TeleEye Group**

**Signal Communications Limited**

Units 202-203, 2/F, Laford Centre, 838 Lai Chi Kok Road, Kowloon, Hong Kong  
 International: (852) 2995 5996 Hong Kong: (852) 2995 5992 Fax: (852) 2995 5901  
 Email: info@TeleEye.com Web: www.TeleEye.com

**TeleEye Europe Ltd.**  
 4 Maidenhead Enterprise Centre, Cordwallis Street, Maidenhead, Berkshire SL6 7BE, United Kingdom  
 Tel: (44) 1628 776061 Fax: (44) 1628 407399 Email: info@TeleEye.co.uk

**TeleEye (S) Pte Ltd.**  
 10 UBI Crescent, #06-09 Lobby A UBI Techpark, Singapore 408564  
 Tel: (65) 6745-3921 Fax: (65) 6742-1965 Email: sales@TeleEye.com.sg

**TeleEye Digital Technology (Shenzhen) Co., Ltd.**  
 Room A602, Shenzhen Virtual University Park, Shenzhen Hi-Tech Industrial Park, Shenzhen, China  
 Tel: (86) 755-2671-2122 Fax: (86) 755-2671-2287 Email: info@TeleEye.com.cn

**TeleEye Hrvatska**  
 Kranjčevićeva 16 52100 Pula, Croatia  
 Tel: (385) 52-383-102 Fax: (385) 52-383-101 Email: info@TeleEye.hr

**TeleEye Philippines Inc**  
 291-H Del Monte Avenue Quezon City Metro Manila, Philippines  
 Tel: (63) 2-3650897 Fax: (63) 2-3651446 Email: contact@TeleEye.com.ph

**TeleEye (Mauritius) Ltd.**  
 Lamberty Street, Vacoas – Mauritius  
 Tel: (230) 686 5238 Fax: (230) 698 2179 Email: info@TeleEye.com.mu

**TeleEye (South Africa) (Pty) Ltd**  
 Unit 4, No. 4 Homestead Avenue, Bryanston P O Box 2375, Saxonwold 2132 South Africa  
 Tel: (27) 11 557 9200 Fax: (27) 11 706 3847 Email: info@TeleEye.co.za

**Companhia TeleEye (Macau) Limitada**  
 D'Assumpção, n°180, Edifício Tong Nam Ah Centro Comercial, 10° andar J, em Macau  
 Tel: (853) 2857 5933 Fax: (853) 2857 5911 Email: info@TeleEye.com.mo